

ZS-010, ZS-011 Stabilized Power Supplies

- Power supply for transmitters in 2-, 3- and 4-wire connection.
- Output voltage 24 V DC \pm 0.5 V.
- Output current 40 mA (25 mA).
- Supply voltage 230 V AC (+10 %, -15 %).
- Housing IP 40 (for rail DIN TS 35 and TS 32) and IP 55 (for wall mounting).
- Dielectric strength 4000 VAC.
- High resistance to interference according to EN 61326-1/A1 (industrial environment).

Application

The stabilized power supplies ZS-010 and ZS-011 are designed for power supply of transmitters in 2-, 3- and 4-wire connection in areas without explosion hazard.

Description

The nominal output voltage is 24 V DC. ZS-010 is designed for rail mounting (DIN TS 35 and TS 32). ZS-011 has IP 55 housing and is designed for wall mounting. It can be fastened to wall with 4 bolts and has 3 outlets. Because of doubling of output terminals both the transmitter and the indicator can be connected to the power supply without any additional terminals. Used plastic housing features with high mechanical resistance and temperature stability.

Technical specifications

Application:

power supply of transmitters

Output voltage:

stabilized 24 \pm 0.5 VDC

Output current:

0 to 40 mA with limit up to approx. 60 mA.
0 to 25 mA with limit up to approx. 45 mA.

Supply voltage:

230 VAC (\pm 10 %), 48 to 62 Hz

Power consumption:

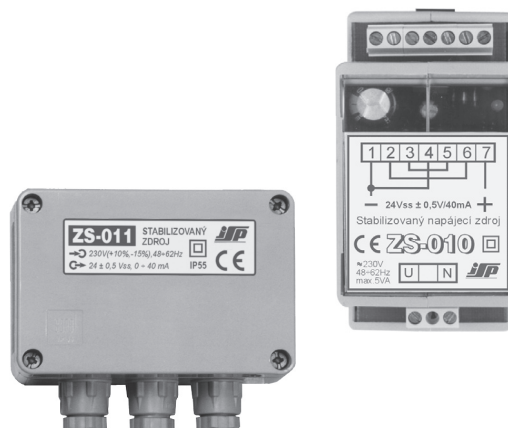
max 5 VA

Dielectric strength:

4000 VAC, output circuits against power supply circuit

Supplementary parameters

The power supply is designed as insulation class II, installation overvoltage category 3 acc to EN 61010-1 (CAT III - 300 V). The powering circuit for transmitter is type SELV and is resistant against long-term short-circuit and is protected by resettable



thermal protection. The device is intended for continuous operation and has no mains power switch, therefore a switch or circuit-breaker must be installed in lead in power line. Devices have been tested and approved in EZU Prague (national testing laboratory 201), Certificate No. 1000578 dated 16. 3. 2000.

The manufacturer issued EC Declaration of Conformity.

Influence of ambient temperature:

for output voltage \leq \pm 0.5 % / 10 °C

EMC: EN 61326-1

Isolation resistance:

min. 50 MOhm

Operating conditions

Ambient temperature:

-25 to +60 °C

Humidity:

ZS-010 10 to 80 % r. h.

ZS-011 0 to 100 % r. h. with condensation

Altitude:

up to 2000 m above sea level

Others parameters

Housing: (acc to EN 60529):

ZS-010 IP 20 (terminals IP 00)

ZS-011 IP 55 (terminals IP 00)

Weight:

ZS-010 240 g

ZS-011 420 g

Material of enclosure:

ZS-010 polyamide

ZS-011 polycarbonate

Архангельск (8182)63-90-72

Астана +7(7172)727-132

Белгород (4722)40-23-64

Брянск (4832)59-03-52

Владивосток (423)249-28-31

Волгоград (844)278-03-48

Вологда (8172)26-41-59

Воронеж (473)204-51-73

Екатеринбург (343)384-55-89

Иваново (4932)77-34-06

Ижевск (3412)26-03-58

Казань (843)206-01-48

Калининград (4012)72-03-81

Калуга (4842)92-23-67

Кемерово (3842)65-04-62

Киров (8332)68-02-04

Краснодар (861)203-40-90

Красноярск (391)204-63-61

Курск (4712)77-13-04

Липецк (4742)52-20-81

Магнитогорск (3519)55-03-13

Москва (495)268-04-70

Мурманск (8152)59-64-93

Набережные Челны (8552)20-53-41

Нижний Новгород (831)429-08-12

Новокузнецк (3843)20-46-81

Новосибирск (383)227-86-73

Орел (4862)44-53-42

Оренбург (3532)37-68-04

Пенза (8412)22-31-16

Пермь (342)205-81-47

Ростов-на-Дону (863)308-18-15

Рязань (4912)46-61-64

Самара (846)206-03-16

Санкт-Петербург (812)309-46-40

Саратов (845)249-38-78

Смоленск (4812)29-41-54

Сочи (862)225-72-31

Ставрополь (8652)20-65-13

Тверь (4822)63-31-35

Томск (3822)98-41-53

Тула (4872)74-02-29

Тюмень (3452)66-21-18

Ульяновск (8422)24-23-59

Уфа (347)229-48-12

Челябинск (351)202-03-61

Череповец (8202)49-02-64

Ярославль (4852)69-52-93

ZS-010, ZS-011 Stabilized Power Supplies

Dimension drawing

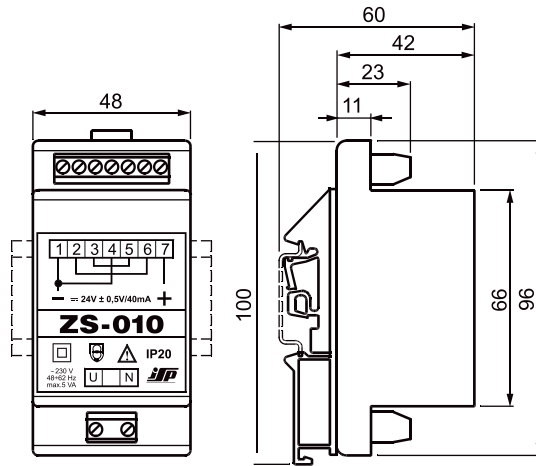
ZS-010

Suitable mounting rails:

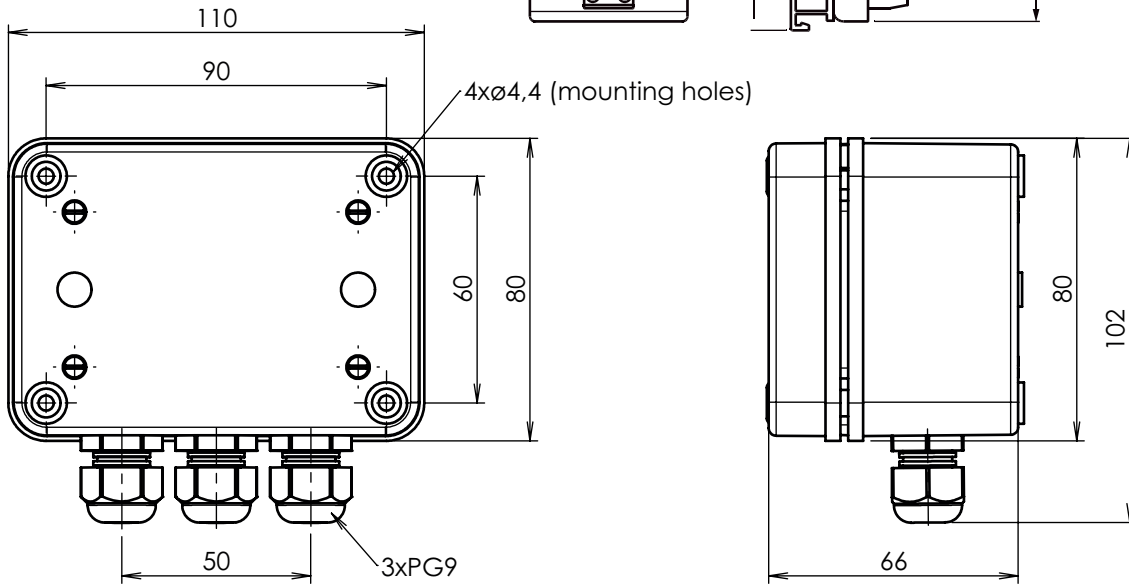
- 35 x 27 x 7,5 mm EN 50022
- 35 x 24 x 15 mm EN 50022
- 35 x 27 x 15 mm
- 32 mm EN 50035 G-32

Screw terminals are used to connect wires with cross-section of 0.5 to 1.5 mm².

Minimum distance between mains power terminals from metal panel is 8 mm!

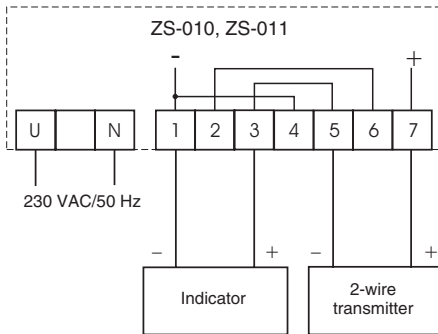


ZS-011

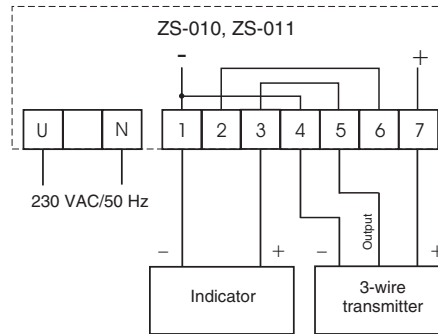


Electrical connections

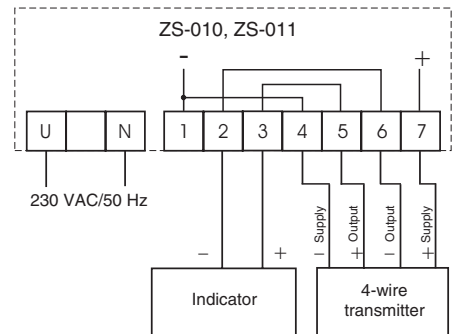
Connection of 2-wire transmitter



Connection of 3-wire transmitter



Connection of 2-wire transmitter



Type	Description
● 119	Stabilized power supply
Kód	Description
● 010	Stabilized power supply ZS-010 (rail mounted version, DIN TS 35 and TS 32, housing IP 40)
● 011	Stabilized power supply ZS-011 (wall mounted version, housing IP 55, dimension 110x112x65 mm)
Code	Output current
● 0	40 mA
1	25 mA

Example of order: 119 0110

Архангельск (8182)63-90-72
 Астана +7(7172)727-132
 Белгород (4722)40-23-64
 Брянск (4832)59-03-52
 Владивосток (423)249-28-31
 Волгоград (844)278-03-48
 Вологда (8172)26-41-59
 Воронеж (473)204-51-73
 Екатеринбург (343)384-55-89
 Иваново (4932)77-34-06
 Ижевск (3412)26-03-58
 Казань (843)206-01-48

Калининград (4012)72-03-81
 Калуга (4842)92-23-67
 Кемерово (3842)65-04-62
 Киров (8332)68-02-04
 Краснодар (861)203-40-90
 Красноярск (391)204-63-61
 Курск (4712)77-13-04
 Липецк (4742)52-20-81
 Магнитогорск (3519)55-03-13
 Москва (495)268-04-70
 Мурманск (8152)59-64-93
 Набережные Челны (8552)20-53-41

Нижний Новгород (831)429-08-12
 Новокузнецк (3843)20-46-81
 Новосибирск (383)227-86-73
 Орел (4862)44-53-42
 Оренбург (3532)37-68-04
 Пенза (8412)22-31-16
 Пермь (342)205-81-47
 Ростов-на-Дону (863)308-18-15
 Рязань (4912)46-61-64
 Самара (846)206-03-16
 Санкт-Петербург (812)309-46-40
 Саратов (845)249-38-78

Смоленск (4812)29-41-54
 Сочи (862)225-72-31
 Ставрополь (8652)20-65-13
 Тверь (4822)63-31-35
 Томск (3822)98-41-53
 Тула (4872)74-02-29
 Тюмень (3452)66-21-18
 Ульяновск (8422)24-23-59
 Уфа (347)229-48-12
 Челябинск (351)202-03-61
 Череповец (8202)49-02-64
 Ярославль (4852)69-52-93